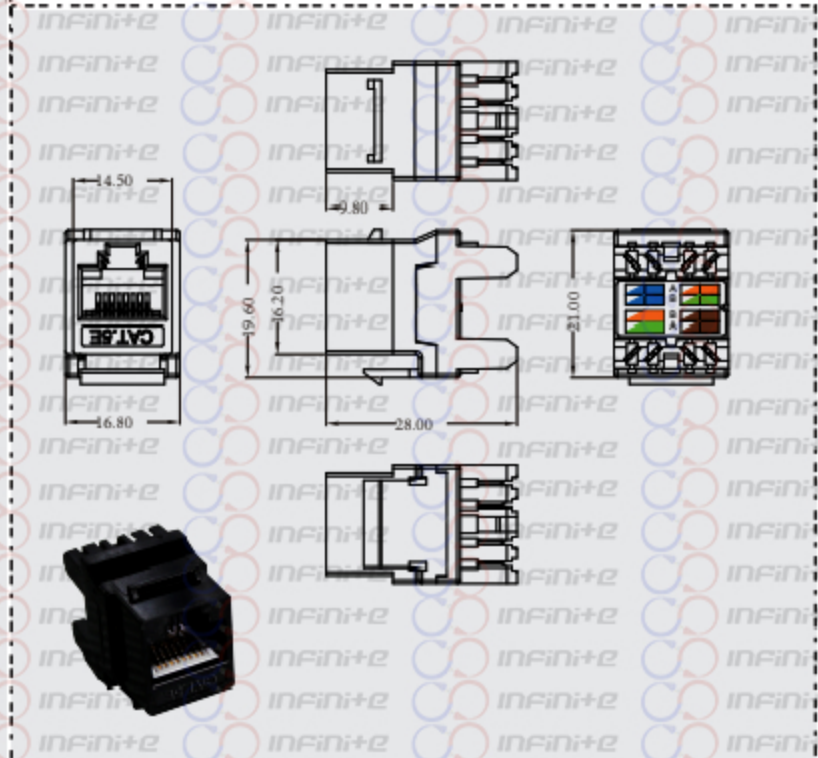


NOTE:
 1.PANEL FRAME : ST12,T=1.6mm,POWDER COATING
 2.BODY COLOR : BLACK
 3.BURR : 0.05MM MAX

Patch Panel Cat. 5e 24 Ports INFINI+E



NOTES:
 ELECTRICAL:
 1. VOLTAGE RATING : 125 VAC RMS
 2. CURRENT RATING : 1.5 AMP
 3. CONTACT RESISTANCE : 20 MILLIOHMS MAX
 4. INSULATION RESISTANCE : 100 MEGOHMS MIN @ 500 VDC
 5. DIELECTRIC STRENGTH : 750 VAC RMS 60Hz,1MIN
 ENVIRONMENTAL:
 1. STORAGE : -40° TO +70°
 2. OPERATION : -10° TO +60°
 CONFORM TO TIA/EIA 568B CATEGORY 5e
 MATES WITH MODULAR PLUG CONFORMING TO FCC PART 68, SUBPART F.
 MECHANICAL:
 1.HOUSING MATERIAL : PC
 2.INSERT MATERIAL : PC
 3.PCB MATERIAL : FR-4 T=1.2mm
 4.CONTACT MATERIAL : PHOSPHOR BRONZE STAMP PIN T=0.35mm
 5.IDC CONTACT MATERIAL : PHOSPHOR BRONZE T=0.50mm WITH TIN PLATING
 6.RJ45 JACK LIFE : 750 TIMES MIN
 7.IDC LIFE : 200 TIMES MIN
 8.WIRE : AWG 22-24
 9.TIA Cat 5e Perm. Link Test: Worst pair NEXT margin≥ 5.0dB
 10.Retentiveness of insertion structure: 50N 60±5s

6. CATEGORY 5e CHARACTERISTIC:

Frequency	Near-End Cross Talk dB, MIN.	Return Loss dB, MIN.	Attenuation dB, MAX.
1.0 MHZ	65.0	35.5	0.1
4.0 MHZ	65.0	35.5	0.1
8.0 MHZ	64.9	35.5	0.1
10.0 MHZ	63.0	35.5	0.1
16.0 MHZ	58.9	35.5	0.2
20.0 MHZ	57.0	34.0	0.2
25.0 MHZ	55.0	32.0	0.2
31.25 MHZ	53.1	30.1	0.2
62.5 MHZ	47.1	24.0	0.3
100.0 MHZ	43.0	20.0	0.4